



LBP HYDRAULIC DOCK LEVELER



HYDRAULIC DOCK LEVELER

- **Dynamic Capacities. 25000; 30000; 35000; 40000 and 45000 (Larger Capacities Available)**
- **Deck Sizes 6' and 7' Widths, 6', 8', 10', 12' and 14' Lengths. (Custom Sizes Available)**

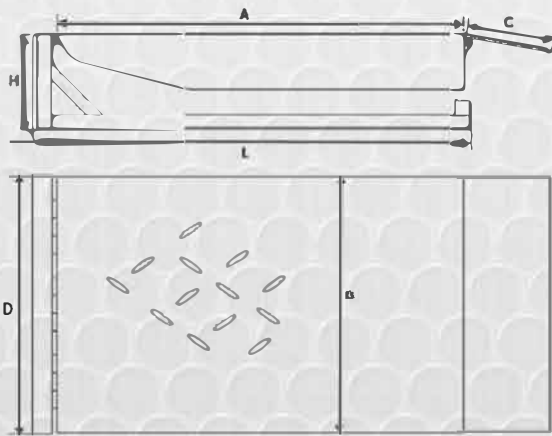
STANDARD FEATURES

- **Heavy duty (6-8 box beams) deck construction**
- **Non skid tread plate deck and lip**
- **Full width one-piece lip hinges pin and tube.**
- **Full range toe guard**
- **Reinforced gusseted lip.**
- **Bumpers.**

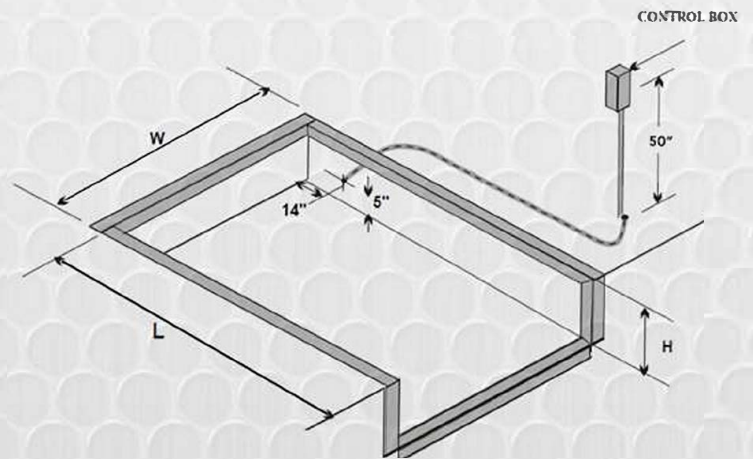
OPTIONAL FEATURES

- **Larger Capacities Available • Custom Sizes Available**
- **16", 18", 20" Lip length • Full-range Toe Xguard**

SPECIFICATION - HYDRAULIC DOCK LEVELER- (In)				
MODEL		LBP25-H6080	LBP25-H6010	LBP25-H6012
		LBP30-H6080	LBP30-H6010	LBP30-H6012
		LBP35-H6080	LBP35-H6010	LBP35-H6012
		6' X 8'	6' X 10'	6' X 12'
CAPACITY		25000/30000/35000 lb	25000/30000/35000 lb	25000/30000/35000 lb
DECK SIZE	B X A	72" X 81"	72" X 105"	72" X 129"
REAR FRAME	D	73 ½"	73 ½"	73 ½"
LIP BOARD SIZE	C	16", 18", 20"	16", 18", 20"	16", 18", 20"
TRAVEL	UP	12"	15"	18"
	DOWN	12"	15"	18"
PIT DIMENSIONS	L	87"	111,8"	135"
	W = D + ½"	74"	74"	74"
	H	19",24"	19", 24"	19", 24"



DOCK LEVELER DIMENSIONS



PIT DIMENSIONS

LBP Operating grades at various height differences

NOMINAL LENGTH SIZES	MAXIMUM HEIGHT DIFFERENTIAL (DOCK TO TRUCK BED)	in	2	4	6	8	10	12	14	16	18	20
		mm.	51	102	152	203	254	305	356	406	457	508
6' length		2,6%	5,3%	8,0%	10,7%	13,3%	16,0%	18,7%	21,3%	24,0%	26,7%	29,4%
8' length		2,0%	4,0%	6,1%	8,1%	10,1%	12,1%	14,1%	16,2%	18,2%	20,2%	22,2%
10' length		1,6%	3,3%	4,9%	6,5%	8,1%	9,8%	11,4%	13,0%	14,6%	16,3%	17,9%
12' length		1,4%	2,7%	4,1%	5,4%	6,8%	8,2%	9,5%	10,9%	12,2%	13,6%	14,9%

Outside of standard dock leveler operating range- consult factory.

Maximum recommended grades:

Hand pallet Truck- 3%
IC Trucks 15%

Electric pallet Truck- 7%
Unusable

Electric Lift Trucks 10%



www.loadingbaypro.com
info@loadingbaypro.com
Ph: 954 3261111

Distributed by:

ACL LOGISTICA

ACL LOGISTICA S.A.S
NIT.900.423.131-7
Calle 10 No.35-228 Bodega ACL
Acopi + Yumbo - Colombia
Cel 314 775 71 98