

WSA121/161

Li-ion pedestrian stacker

1200/1600kg



EP
Let's grow together

- Medium to heavy duty stacker designed around Li-ion battery
- High efficiency thanks to the fast lifting and lowering speeds
- Great stacking precision with the proportional lifting control system
- Compact size (l2=714/774mm) and turtle speed allows for maneuverability in tight spaces and narrow aisles
- Fast and flexible charging thanks to the integrated charger
- Strong cover with storage space and USB outlet for daily convenience

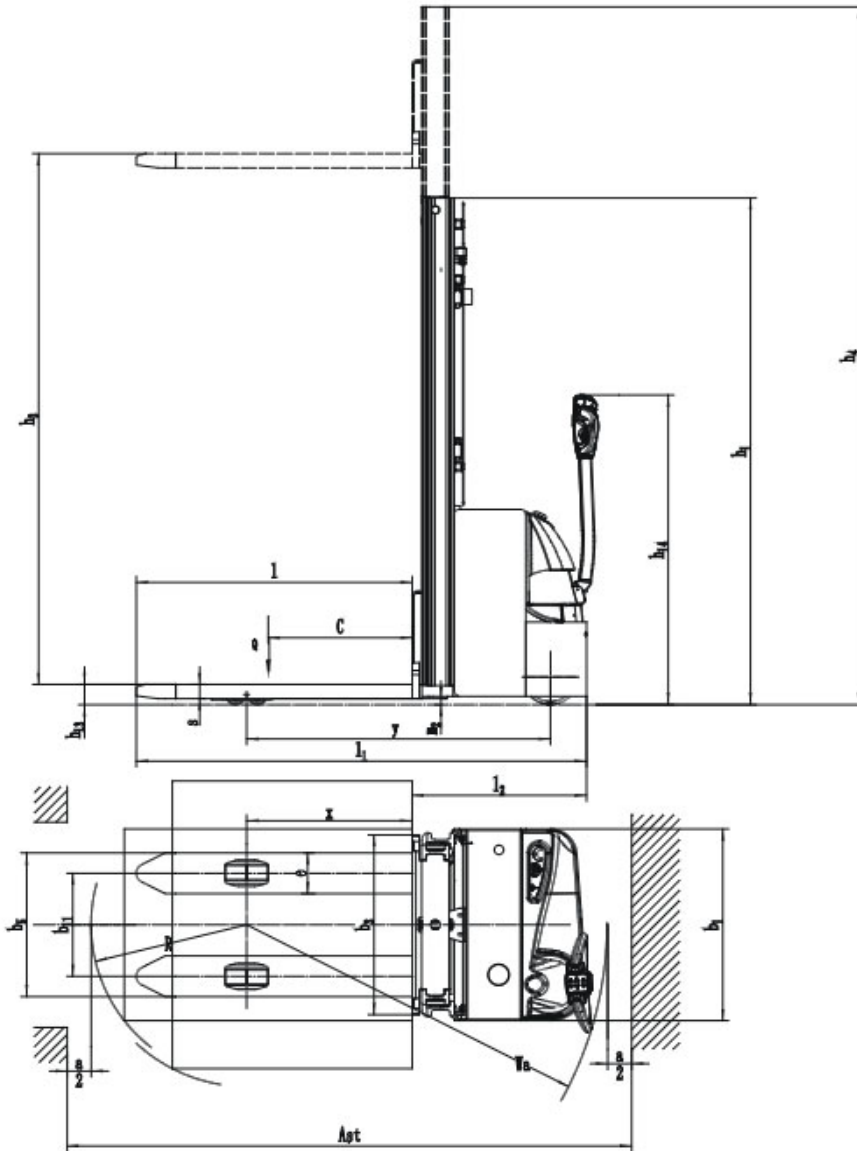


The WSA series is a professional lithium powered pedestrian stacker with load capacity of 1.2/1.6 ton, offering strong performance when storing goods even with elevations up to 5.5m. As the succeeding generation, this stacker lifts and lowers pallets twice as fast as the ES-WA series, which ensures greater efficiency for intensive use. It adopts a multifunctional tiller head with the turtle speed button and the proportional lifting button for precise and convenient operation. With its short l2 (WSA121 l2=714mm), the WSA series is ideal for transportation tasks in confined spaces. It also features high availability thanks to opportunity charging and no maintenance required.

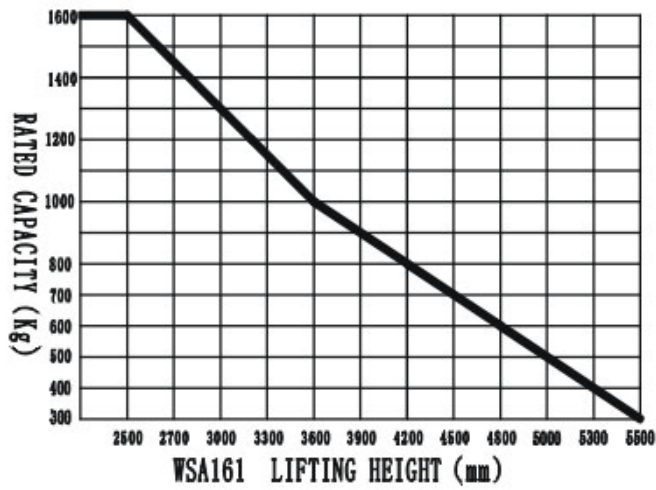
Li-ion pedestrian stacker 1200/1600kg WSA121/161

Distinguishing mark	1.1	Manufacturer			EP	EP
	1.2	Model designation			WSA121	WSA161
	1.3	Drive			Electric	Electric
	1.4	Operator type			Pedestrian	Pedestrian
	1.5	Load capacity	Q	kg	1200	1600
	1.5.1	Load capacity, load with mast lift	Q1	kg		
	1.5.2	Load capacity, load with support arm lift	Q2	kg		
	1.6	Load center distance	c	mm	600	600
	1.8	Load distance, centre of drive axle to fork	x	mm	690	690
Service weight	1.9	Wheelbase	y	mm	1196	1281
	2.1	Service weight		kg	955	1070
	2.2	Axle loading, laden front/rear		kg	715/1440	780/1890
Tyres/chassis	2.3	Axle loading, unladen front/rear		kg	645/310	730/340
	3.1	Tyre type			Polyurethane	Polyurethane
	3.2.1	Tyre size, front		mm	Φ230×75	Φ230×75
	3.3.1	Tyre size, rear		mm	Φ85×70	Φ85×70
	3.4	Additional wheels (caster wheels)		mm	Φ130×55	Φ130×55
	3.5	Wheels, number front/rear (x=drive wheels)		mm	1x +1/4	1x +1/4
	3.6.1	Tread width, front	b10	mm	538	538
	3.7.1	Tread width, rear	b11	mm	406	406
	Dimensions	4.0	Max. Lift Height	H	mm	3000
4.2		Retracted mast height	h1	mm	1970	1970
4.3		Free lift	h2	mm	\	\
4.4		Lift height	h3	mm	2915	2915
4.5		Height, mast extended	h4	mm	3425	3425
4.6		Initial lift	h5	mm	\	\
4.9		Height of tiller handle in drive position min./max.	h14	mm	715/1200	715/1200
4.10		Height of wheel arms	h8	mm	\	\
4.15		Lowered height	h13	mm	90	90
4.19		Overall length	l1	mm	1884	1924
4.20		Length to face of forks	l2	mm	714	774
4.21		Overall width	b1/b2	mm	814	800
4.22		Fork dimensions	s/e/l	mm	60×170×1150	60×170×1150
4.24		Fork carriage width	b3	mm	750	750
4.25		Distance between fork-arms	b5	mm	570	570
4.26		Distance between wheel arms/loading surfaces	b4	mm	\	\
Performance data		4.31	Ground clearance, laden, below mast	m1	mm	25
	4.32	Ground clearance, center of wheelbase	m2	mm	25	25
	4.34.1	Aisle width for pallets 1000×1200 crossways	Ast	mm	2323	2383
	4.34.2	Aisle width for pallets 800×1200 crossways	Ast	mm	2296	2356
	4.35	Turning radius	Wa	mm	1446	1506
	5.1	Travel speed, laden/unladen		km/ h	5/5.5	5/5.5
	5.2	Lifting speed, laden/unladen		m/s	0.23/0.3	0.23/0.3
	5.3	Lowering speed, laden/unladen		m/s	0.4/0.36	0.4/0.36
	5.8	Max. gradeability, laden/unladen		%	8/16	8/16
	5.10	Service brake			Electromagnetic	Electromagnetic
Electric-engine	6.1	Drive motor rating S2 60 min		kW	1.6	1.6
	6.2	Lift motor rating at S3 15%		kW	4.5	4.5
	6.4	Battery voltage/nominal capacity		V/Ah	24V/100AH	24V/100AH
	6.5	Battery weight		kg	40	40
	Addition data	8.1	Type of drive control			AC
10.5		Steering design			Mechanical	Mechanical
10.7		Sound pressure level at the driver's ear		dB(A)	74	74

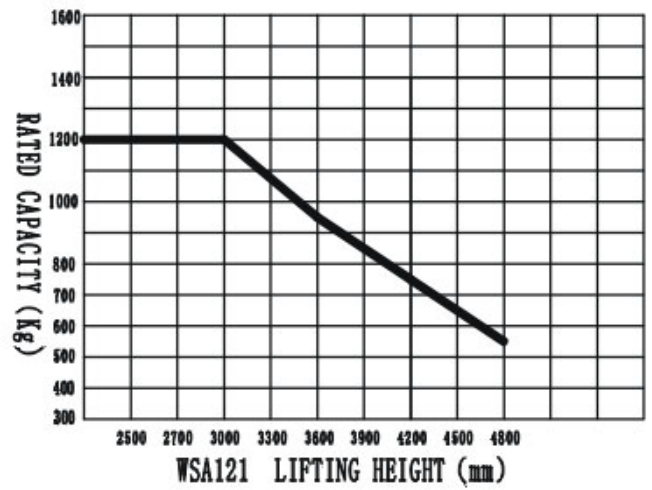
If there are improvements of technical parameters or configurations, no further notice will be given.
The diagram shown may contain non-standard configurations.



RATED CAPACITIES GRAPH



RATED CAPACITIES GRAPH



Mast Option

WSA121

Mast types	Lift height h3+h13(mm)	Height, mast lowered h1(mm)	Free lift h2(mm)	Height, mast extended h4(mm)
2-Stage Single Cylinder Mast	2500	1720	\	2935
	2700	1820	\	3135
	3000	1970	\	3435
	3300	2120	\	3735
	3600	2270	\	4035
	3900	2420	\	4335
2-Free Mast	2700	1822	1320	3088
	3000	1972	1470	3388
	3300	2122	1620	3688
3-Free Mast	4000	1820	1345	4445
	4500	2020	1545	4945
	4800	2115	1645	5245

WSA161

Mast types	Lift height h3+h13(mm)	Height, mast lowered h1(mm)	Free lift h2(mm)	Height, mast extended h4(mm)
2-Wide Mast	2650	1872	\	2735
	2950	2022	\	3035
	3250	2172	\	3335
	3550	2322	\	3635
	3850	2472	\	3935
	4110	2602	\	4195
2-Free Mast	2700	1822	1320	3088
	3000	1972	1470	3388
	3300	2122	1620	3688
3-Free Mast	4000	1820	1345	4445
	4500	2020	1545	4945
	4800	2115	1645	5245
	5000	2185	1715	5445
	5500	2385	1915	5945